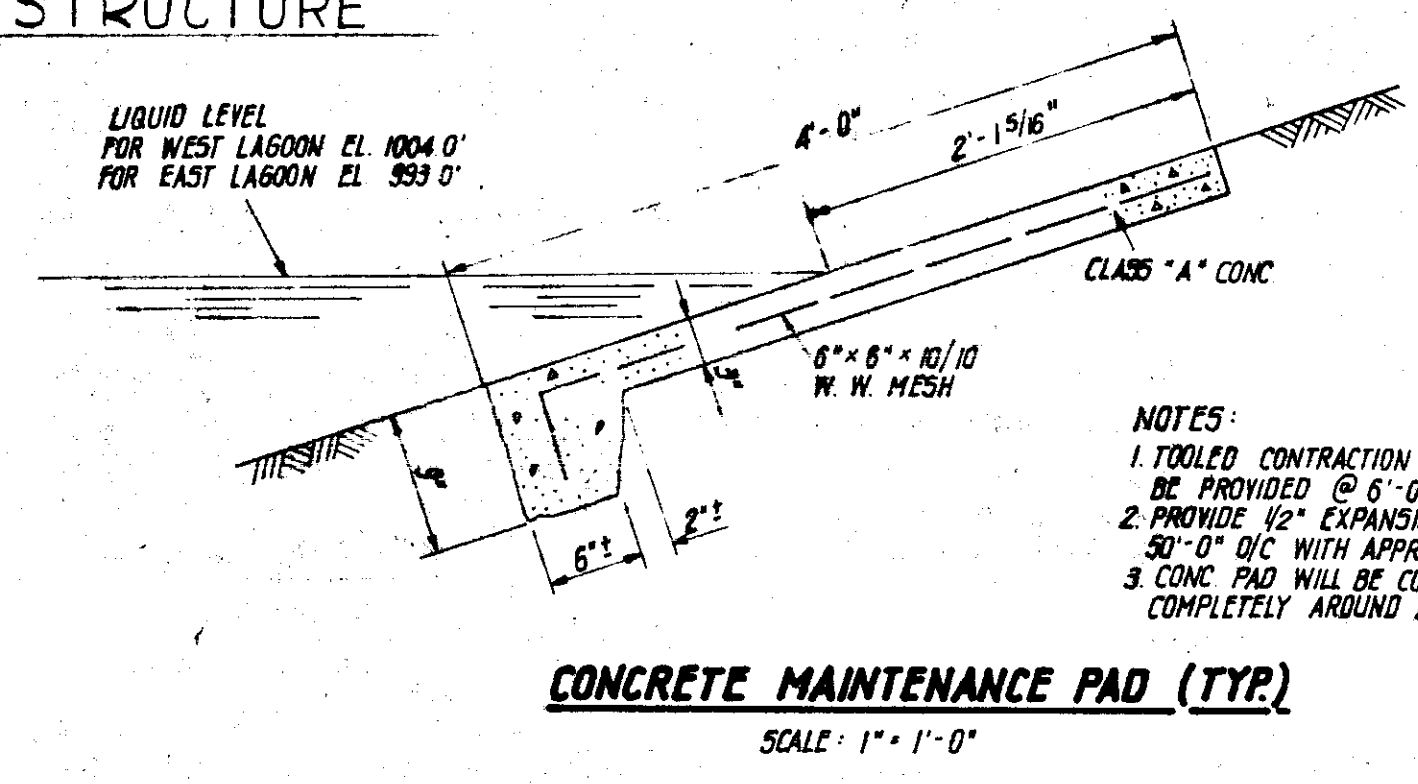
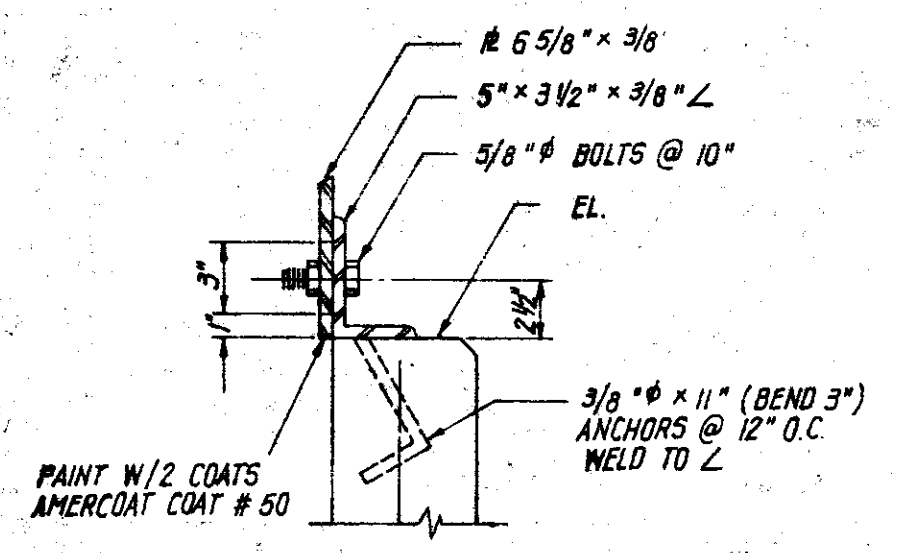
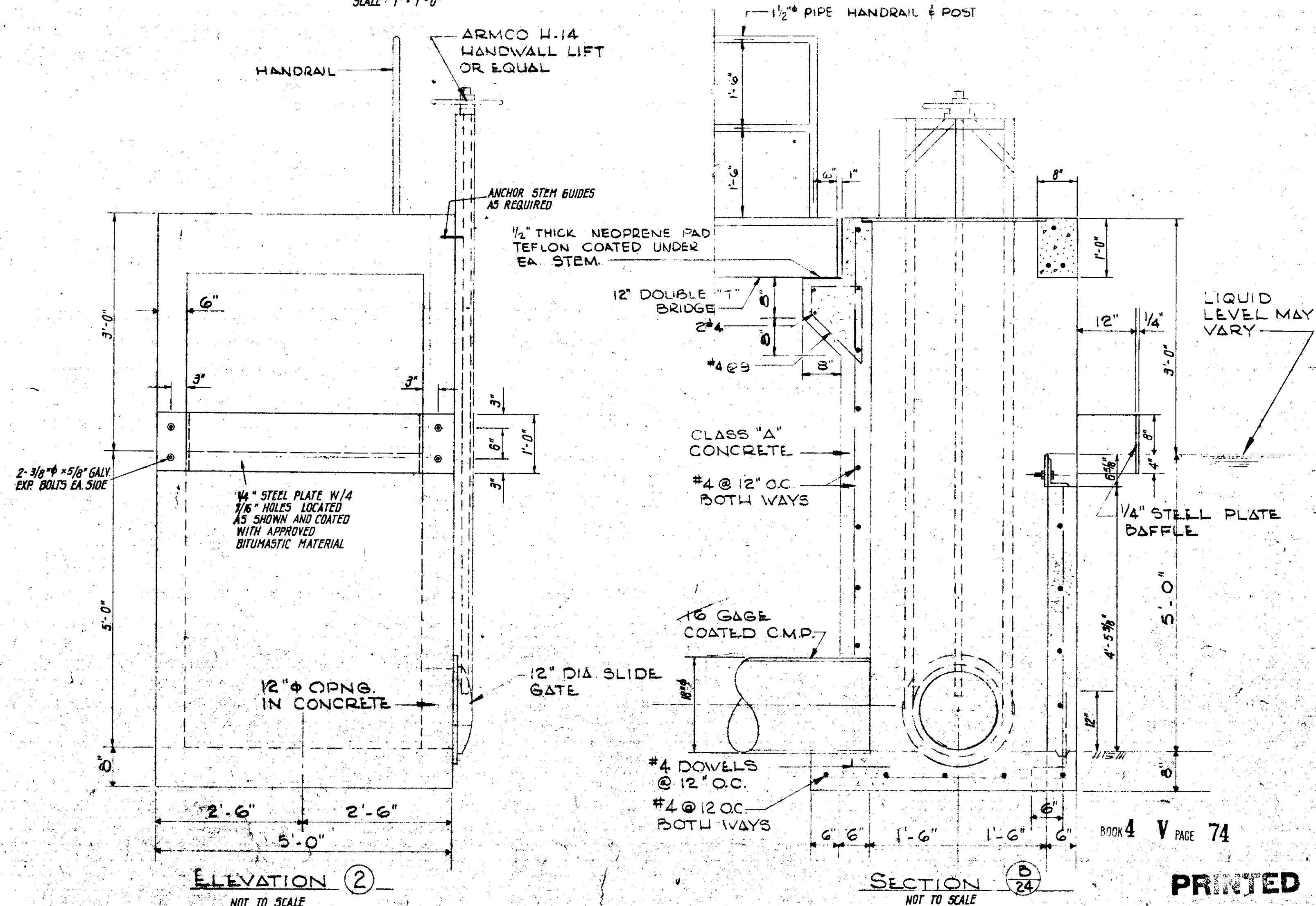
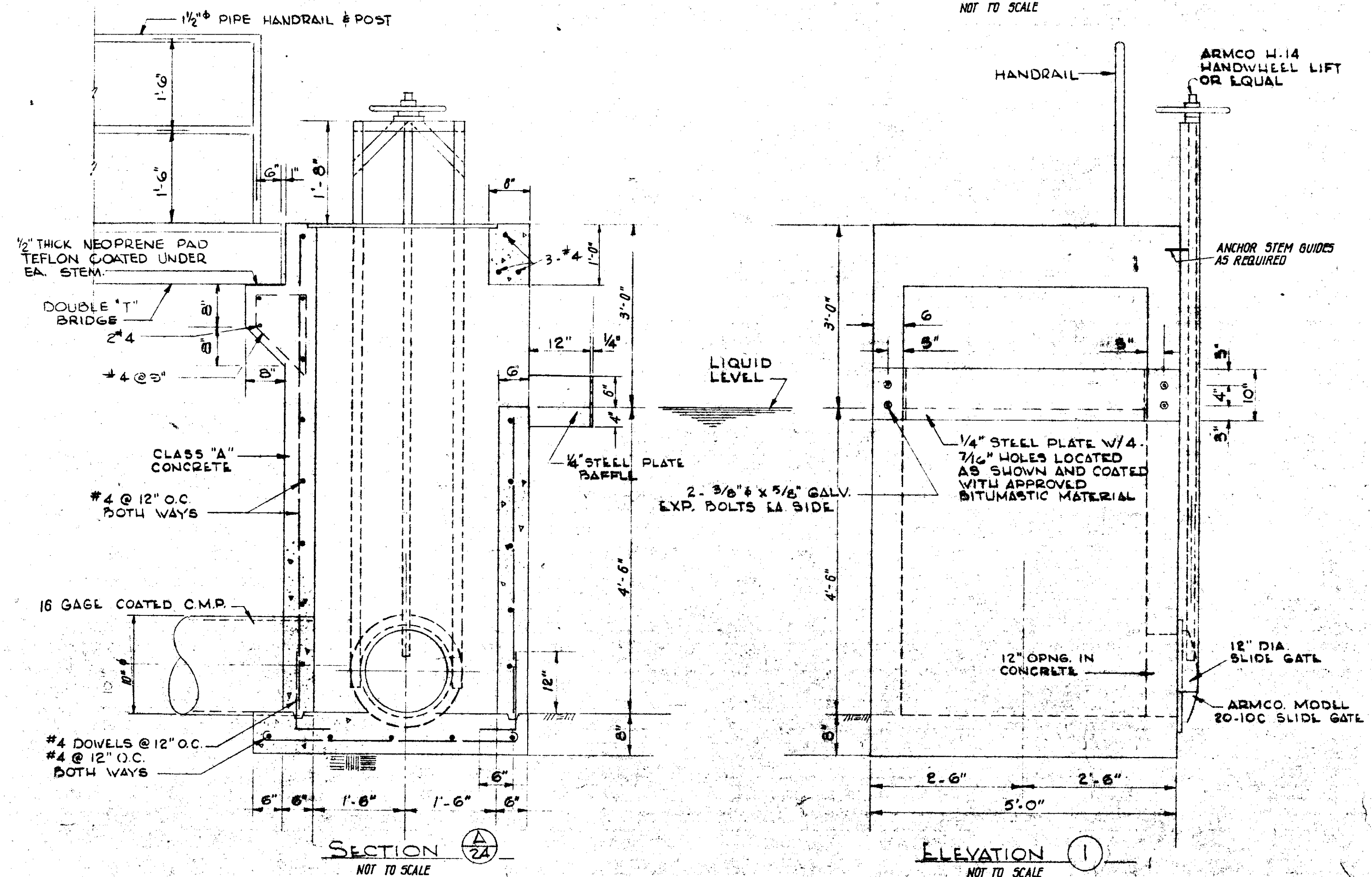


NOTE: ALUMINUM GRATING SHALL BE SIZE NO 2 TYPE W/6 AS MFGD BY BORDEN METAL PRODUCTS OR EQUAL



NOTES:
1. TOoled CONtraction JOINTS WILL BE PROVIDED @ 6'-0" O.C.
2. PROVIDE 1/2" EXPANSION JOINTS AT 30'-0" O.C. WITH APPROVED FILLER
3. CONC. PAD WILL BE CONSTRUCTED COMPLETELY AROUND EACH LAGOON



DETAILS - CONCRETE OUTLET STRUCTURE FOR WEST LAGOON.

DETAILS - CONCRETE OUTLET STRUCTURE FOR EAST LAGOON.

PRINTED

DEC 1 1970

DAVIS AND FLOYD ENGINEERS, INC.
CONSULTING ENGINEERS
GREENWOOD, S. C. ATLANTA, GA.

TOWN OF TRAVELERS REST,
SOUTH CAROLINA

DETAILS - CONCRETE OUTLET STRUCTURES

DESIGNED: P.R.F.
DRAWN: T.E.N.
CHECKED:
APPROVED: DATE REVISIONS BY

SCALE: AS SHOWN
DATE: JULY 1968
CONTRACT NO. 234
SH. 15 OF 45